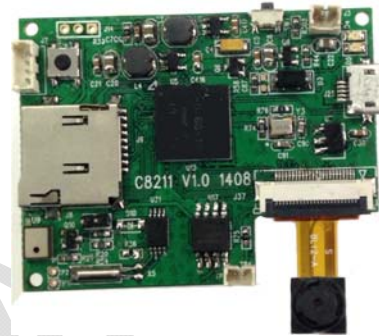


Description

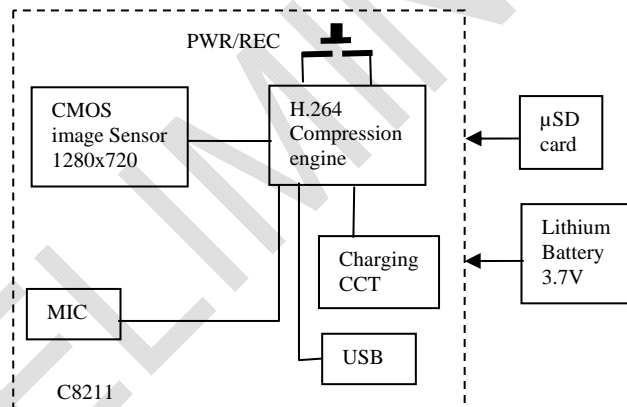
This is a small and simple video recorder, operated by lithium battery, very easy to operate. It is a single key design, use the same key to power on and off; start and stop video recording. Video file store in micro SD card, user can either download files thru USB connection or by pulling out the SD card.

Features

- Single key operation
- HD 720p video recording (10/15/30fps adjustable)
- H.264 compression with quality adjustable
- Compact size (54x40mm)
- Date/time stamp
- Battery operated, allow 12 hr operation when using 2500mAH battery
- USB port read out file
- Settings thru USB port
- Settings includes, data time, frame rate, etc
- Built in microphone
- Built in charging circuit, low voltage detect
- Files save to micro SD card, in max 1.5G per file
- Support 32G card



Block diagram



Electrical characteristics

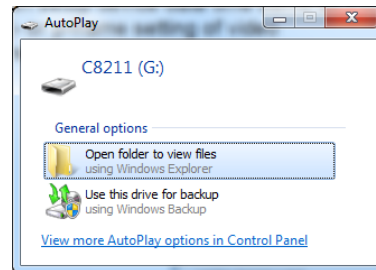
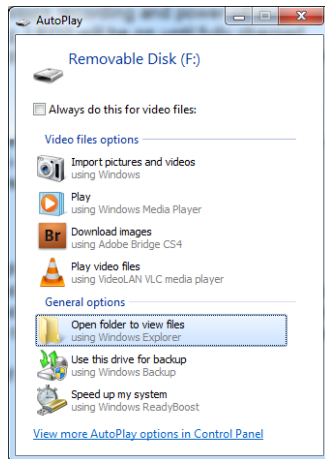
	Condition	Min	Typ	Max	Unit
Operation Voltage		3.5	3.7	5	V
Operation Current	Recording		190		mA
	Standby		150		mA
Shut down current	With battery connected				uA

Operation

1. Turn on power, press a key, it starts recording, LED will be flashing
2. Press the key again, it stops recording.
3. Press and hold the key until LED off, system will be power off.
4. When battery low, it stops recording and power off automatically.
5. When SD card full, it will stop recording.
6. Plug in USB charging, LED2 will be on until fully charged
7. Plug in to PC, start application for system setup or files download.

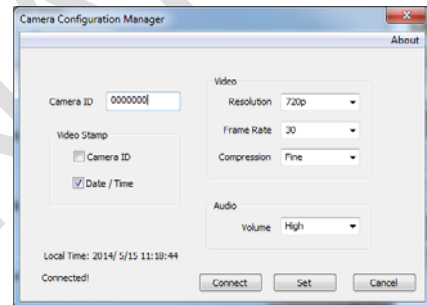
PC Operation

1. Connection the camera to PC
 - a. Turn on camera, plug in PC thru USB cable
 - b. PC will detect 2 external hard disks plugged, one is C8211 disk and the other is removable disk. (user can rename it if desired)



2. System setup

- a. Open C8211 disk. Click C8211.exe, a window will be popped up. Click "Connect" to start setting.
- b. Camera ID
- c. Video Stamp: check box for desired setting.
- d. Resolution: set video size 720p/VGA
- e. Frame rate: 10/15/30 fps selectable
- f. Compression: set video quality, fine, coarse and normal. Please note the quality setting will affect file size and therefore the duration of recording.
- g. Audio: depends on application, audio reception can be set to high (most sensitive), medium and low (least sensitive)
- h. Click "Set" to send the parameters to camera. These settings will be saved in the camera and take effective when next time power on the camera.



3. Files download and playback in PC

- a. Select removable disk, open folder DCVD and all the files will be listed
- b. File name format is "DV_XXXX.AVI", start from "00000" to "00999", if exceed 1000 files, it will stop recording.

Mechanical Drawings and connectors

SW1	Power/ record
SW3	Reset
J2	Test pins
J3	Battery input
J8	Test pins
J9	Micro SD
J14	Test pins
J25	USB
J37	Camera input
U9	Digital mic

